

# YAMAHA TW200 TAIL RACK HTP9-3-6



Thank you for purchasing Happy Trails products. Our products are proudly hand made in Boise Idaho, USA. If you have any questions or concerns about the installation of this product, please contact us directly at 1-800-444-8770 or e-mail [installation@happy-trail.com](mailto:installation@happy-trail.com).

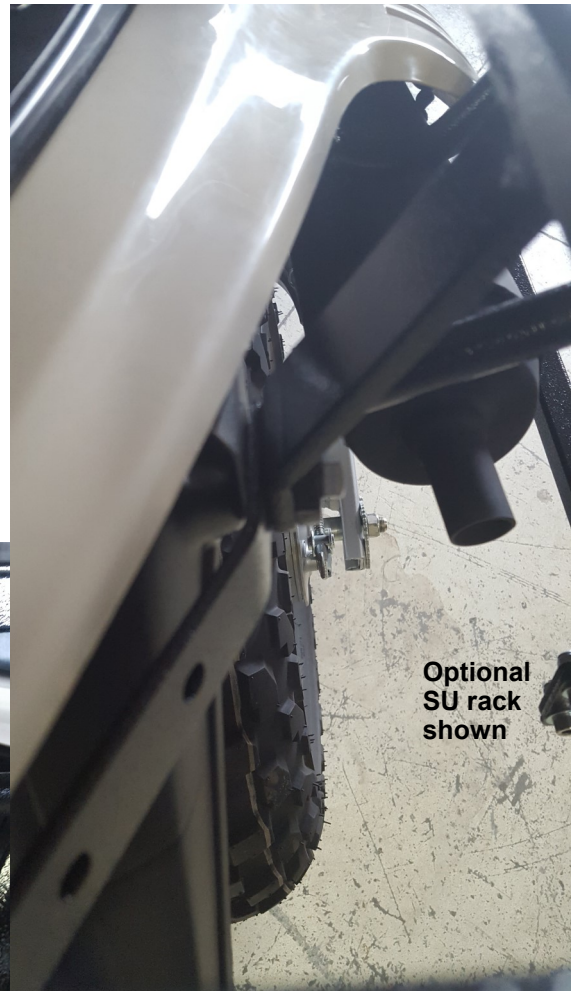
Before you begin, place the bike on a hard level surface where you have room to work. Lay out the parts included in this kit and compare to the parts in these instructions. If any parts or hardware are missing, contact us immediately at the number listed above.

## **IMPORTANT!!!!**

When installing Happy Trails racks, leave all bolt connections loose until the entire product is installed. Then go back and tighten all connections. We recommend the use of thread locking compound.

## **Installation**

Remove the seat. Remove the turn signals, being careful to not damage the wires. Mount the rack bracket to the two fender bolts under the seat using the original bolts (hardware is provided for bikes that do not have threader mount points). Mount the tail rack to the bracket using the 8x25 bolt nut and washers. Install the two turn signal relocation tabs so that they bend in towards the tail light. Mount the turn signal relocation tabs between the tail rack mounting arm and the frame as shown in the photo. Install the turn signals and route the wires along the tabs. You may have to extend the turn signal wires with the supplied wire extensions. See the diagram on the next page on how to do so.





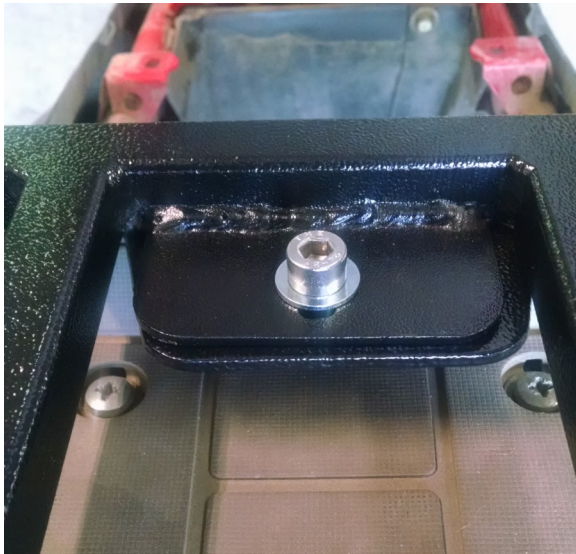
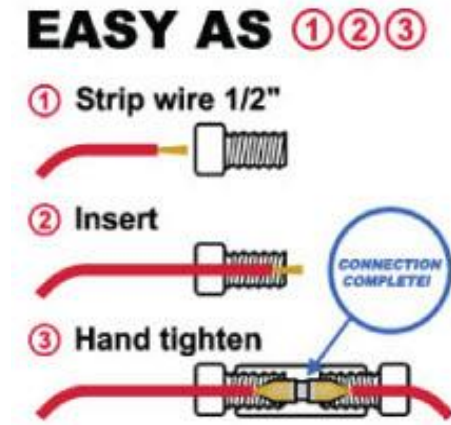
**Turn signal installation**

The photo at the left shows how the turn signals are mounted to the tabs and how they bend in towards the tail light. Route the wiring so it is secure.

**Bolt List:**

- 2 - M10x40mm HHCS :: Rear arm of tail rack mount
- 2 - 10mm Nylock nuts :: for M10 nuts above
- 1 - 8x25mm :: SHCS Front mount to bracket under seat
- 2 - 07 Turn signal tabs
- 2 - Wire extensions
- 1 - Mounting bracket
- 2 - M6x30mm SHCS
- 4 - M6 Washer
- 2 - M6 Nylock
- 1 - M8 Nylock :: Front mount to bracket under seat
- 2 - M8 :: Washers Front mount to bracket under seat

**All other mount points use existing hardware**



REV 5  
9/21/2021  
JH